

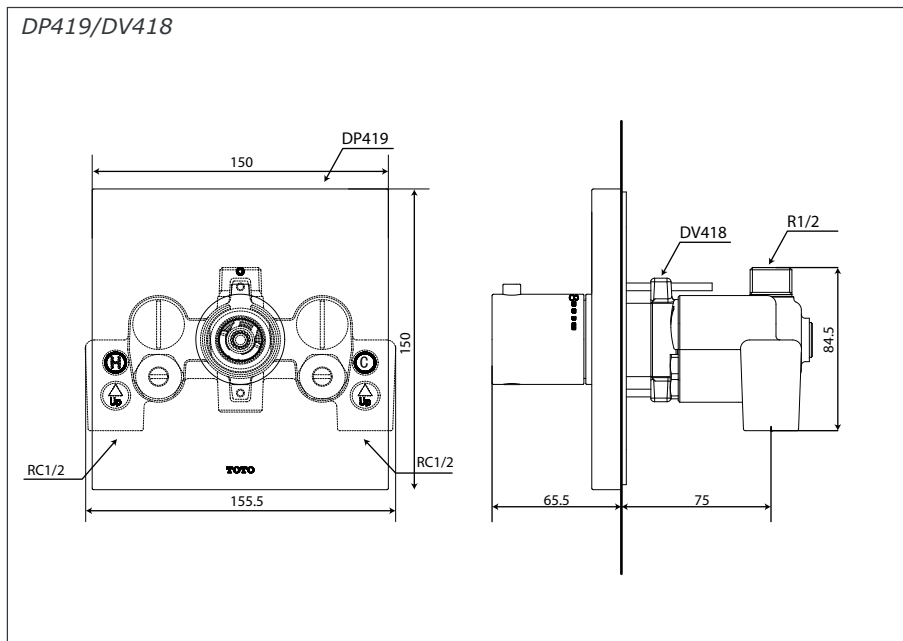


Features

- Shape Memory Alloy, (SMA) Thermostatic Mixing Valve
 - Able to achieve and maintain ideal temperature setting
 - Responds to sudden temperature changes instantaneously and accurately
 - Anti-Scald Protection

Specifications

Finish : Nickel Chrome
Size : 100W x 65.5D x 100H mm



Parts Description

- **DP419/DV418**
Thermostat Controller

Please consult a TOTO representative for details